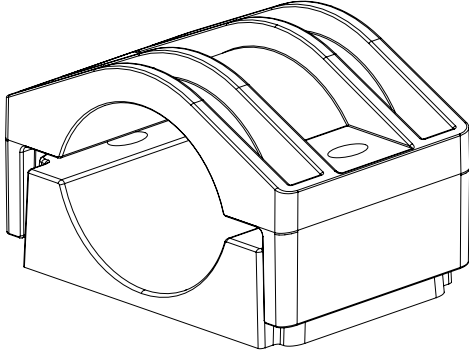


CABLE CLAMPS



Models: 15-26; 26-38; 36-52; 50-75; 75-100; 100-135; 135-170.

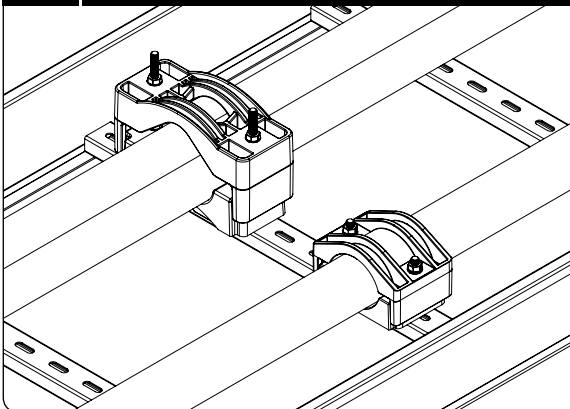
Material: PAFV (black colour)

Characteristics of the product:

- Halogen free with low smoke emission.
- Resistance to corrosion and aging:
 - Resistant to oils, UV, ozone, salts, moisture, humidity, acids and even nuclear radiation.
- Fire behaviour:
 - Self Extinguishing V0 acc. to UL94.
- Minimum Temperature: -40 °C.
- Maximum Temperature: 120 °C (up to 225 °C momentarily)

| MODEL | RESISTANCE (kN) | HOLE FOR HARDWARE (mm) | STACKABLE |
|---------------------|--------------------|---------------------------|-----------|
| Cable Clamp 15-26 | 20 | 10 | Yes |
| Cable Clamp 26-38 | 30 | 12 | No |
| Cable Clamp 36-52 | 20 | 12 | No |
| Cable Clamp 50-75 | 20 | 12 | No |
| Cable Clamp 75-100 | 68.8 | 15 | No |
| Cable Clamp 100-135 | 67.4 | 15 | No |
| Cable Clamp 135-170 | 66.25 | 15 | No |

ASSEMBLY INSTRUCTIONS



- This clamps allow the fixation of wires or conduits of every diameter into de range declared in the description of each product.
- The pieces have an internal hole to allow placing an intermediate nut if necessary.
- Model 15-26 can be stacked vertically and fixed with the same threaded rod, allowing an easy installation system for different lines and an economic solution for ampliatioms.